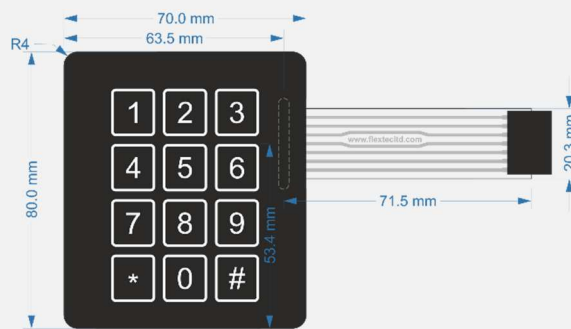


P-1902-2.01 dome embossed membrane keyboard

Technical Data Sheet

General informations: Numeric type (12 buttons) keyboard. Background color black, buttons white frame and text white transparent for backlight. Buttons dome embossed ('tactile' switch effect). Bottom side with adhesive layer.

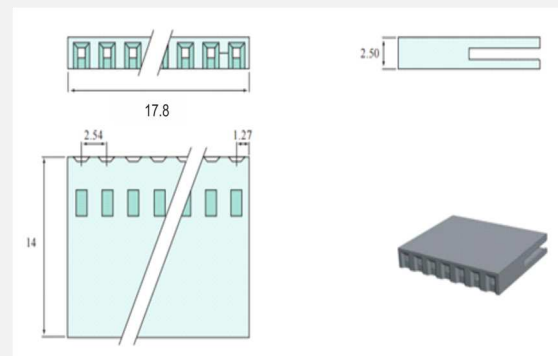
Sizes:



Total thickness: 0.55 mm
(without linear)

Embossing: 0.5 mm

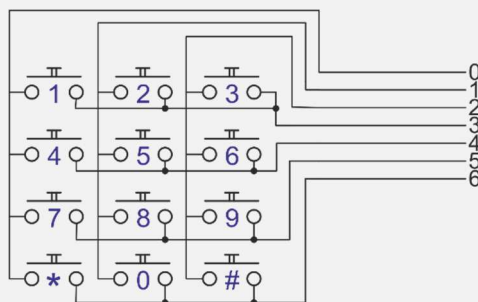
Connection:



2.54 array, 7 way connector house

Electrical

Circuit



Electrical properties

R_s (switch resistance) < 150 Ω

$I_{max} = 200$ mA

$U_{max} = 24$ V

Assembly / handling

Please read our manual from membrane keyboards handling!

HU: <http://flextec.hu/foiabillentyuzet>

EN: <http://www.flextecltd.com/en/membrane-keyboards>

You can order unique type keyboards as well! info@flextec.hu